

USED IN

MILLING MACHINE, SURFACE GRINDER, PLANNING MACHINE,
COPYING LATHE, FULLY AUTOMATIC LATHE & ON MACHINES

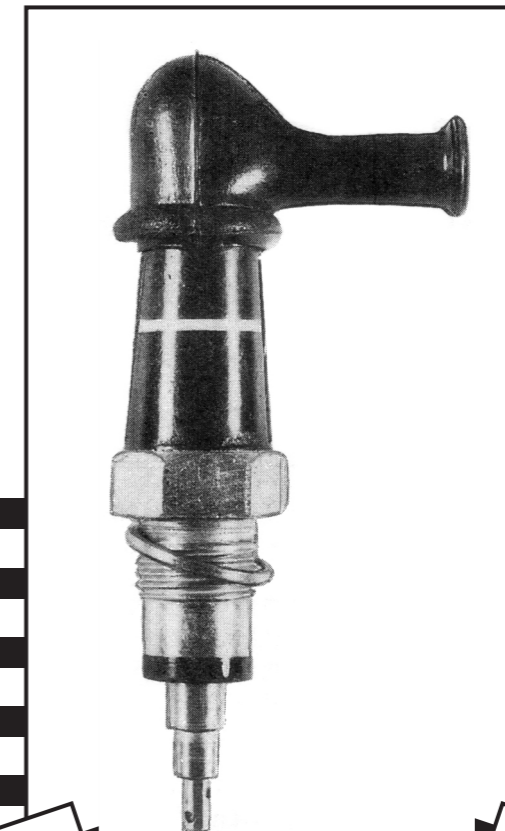
MANUFACTURED BY

HMT, KIRLOSKAR, PRAGA, BHARAT FRITZ WERNER

AND OTHER IMPORTED AND INDIAN MACHINES

TELESCOPIC BRUSH PLUG

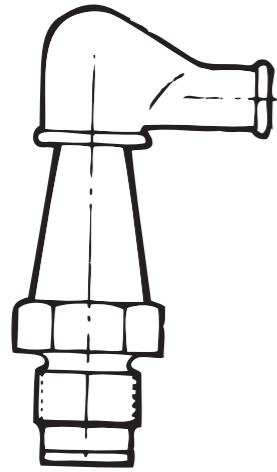
WET & DRY



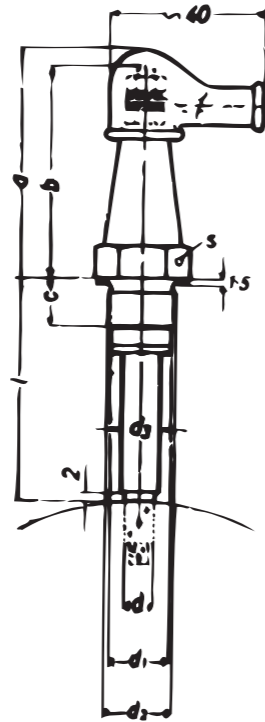
JAIBALAJI
CONTROL GEARS PVT. LTD

Post Box No. 27, 89 (New No. 107), SIDCO Industrial Estate,
Ambattur, Chennai - 600 098. India
Phone: +91 44 26251279 / 26257859 / 26254470 Fax: +91 44 26255038.
E-mail: dchandramohan@jaibalaji.firm.in Web: jaibalaji.in

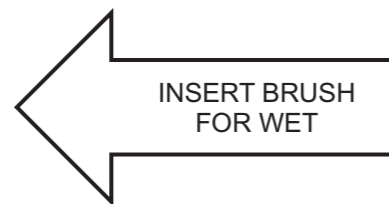
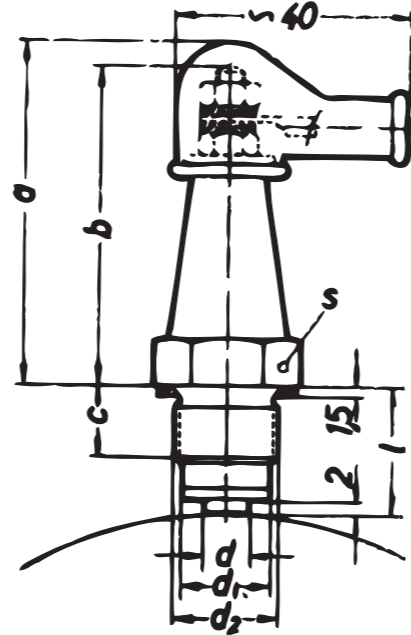
PLUG HOLDER



TSL & STL
TELESCOPIC
BRUSH PLUG



TELESCOPIC
BRUSH PLUG



TELESCOPIC BRUSH FOR WET

INSTALLATION LENGTH	PLUG HOLDER TYPE	INSERT BRUSH TYPE	BRUSH PLUG TYPE	SIZE IN MILLIMETERS								
				A	B	C	D	D1	D2	D3	L	S
14	SBK 4	SK 4 E	SK 4	47	40	8	4	12	M 14 X 1.5	-	14	17
14	TBK 6/16	TSK 6/16 E	TSK 6/16	47	40	8	6	14	M 16 X 1.5	-	14	19
22	TBN 6/16	TSN 6/16 E	TSN 6/16	56	52	10	6	14	M 16 X 1.5	-	22	19
30	TBL 6/16 X 30	TSL 6/16 E X 30	TSL 6/16 X 30	56	52	10	6	14	M 16 X 1.5	9.5	30	19
40	TBL 6/16 X 40	TSL 6/16 E X 40	TSL 6/16 X 40	56	52	10	6	14	M 16 X 1.5	9.5	40	19
50	TBL 6/16 X 50	TSL 6/16 E X 50	TSL 6/16 X 50	56	52	10	6	14	M 16 X 1.5	9.5	50	19
60	TBL 6/16 X 60	TSL 6/16 E X 60	TSL 6/16 X 60	56	52	10	6	14	M 16 X 1.5	9.5	60	19
70	TBL 6/16 X 70	TSL 6/16 E X 70	TSL 6/16 X 70	56	52	10	6	14	M 16 X 1.5	9.5	70	19
80	TBL 6/16 X 80	TSL 6/16 E X 80	TSL 6/16 X 80	56	52	10	6	14	M 16 X 1.5	9.5	80	19
90	TBL 6/16 X 90	TSL 6/16 E X 90	TSL 6/16 X 90	56	52	10	6	14	M 16 X 1.5	9.5	90	19
100	TBL 6/16 X 100	TSL 6/16 E X 100	TSL 6/16 X 100	56	52	10	6	14	M 16 X 1.5	9.5	100	19
22	TBN 8	TSN 8 E	TSN 8	56	52	10	8	15	M 18 X 1.5	-	22	22
30	TBL 8 X 30	TSL 8 E X 30	TSL 8 X 30	56	52	10	8	15	M 18 X 1.5	9.5	30	22
40	TBL 8 X 40	TSL 8 E X 40	TSL 8 X 40	56	52	10	8	15	M 18 X 1.5	9.5	40	22
50	TBL 8 X 50	TSL 8 E X 50	TSL 8 X 50	56	52	10	8	15	M 18 X 1.5	9.5	50	22
60	TBL 8 X 60	TSL 8 E X 60	TSL 8 X 60	56	52	10	8	15	M 18 X 1.5	9.5	60	22
70	TBL 8 X 70	TSL 8 E X 70	TSL 8 X 70	56	52	10	8	15	M 18 X 1.5	9.5	70	22
80	TBL 8 X 80	TSL 8 E X 80	TSL 8 X 80	56	52	10	8	15	M 18 X 1.5	9.5	80	22
90	TBL 8 X 90	TSL 8 E X 90	TSL 8 X 90	56	52	10	8	15	M 18 X 1.5	9.5	90	22
100	TBL 8 X 100	TSL 8 E X 100	TSL 8 X 100	56	52	10	8	15	M 18 X 1.5	9.5	100	22

TELESCOPIC BRUSH FOR DRY

14		STK 4 ER	STK 4 R	47	40	8	4	12	M 14 X 1.5	-	14	17
14		STK 6/16 ER	STK 6/16 R	47	40	8	6	12	M 16 X 1.5	-	14	19
22		STN 6/16 ER	STN 6/16 R	56	52	10	6	14	M 16 X 1.5	-	22	19
30		STL 6/16 ER X 30	STL 6/16 R X 30	56	52	10	6	14	M 16 X 1.5	9.5	30	19
40		STL 6/16 ER X 40	STL 6/16 R X 40	56	52	10	6	14	M 16 X 1.5	9.5	40	19
50		STL 6/16 ER X 50	STL 6/16 R X 50	56	52	10	6	14	M 16 X 1.5	9.5	50	19
60		STL 6/16 ER X 60	STL 6/16 R X 60	56	52	10	6	14	M 16 X 1.5	9.5	60	19
70		STL 6/16 ER X 70	STL 6/16 R X 70	56	52	10	6	14	M 16 X 1.5	9.5	70	19
80		STL 6/16 ER X 80	STL 6/16 R X 80	56	52	10	6	14	M 16 X 1.5	9.5	80	19
90		STL 6/16 ER X 90	STL 6/16 R X 90	56	52	10	6	14	M 16 X 1.5	9.5	90	19
100		STL 6/16 ER X 100	STL 6/16 R X 100	56	52	10	6	14	M 16 X 1.5	9.5	100	19
22	ABOVE WET NUMBERS ARE APPLICABLE TO DRY ALSO	STN 8 ER	STN 8 R	56	52	10	8	15	M 18 X 1.5	-	22	22
30		STL 8 ER X 30	STL 8 R X 30	56	52	10	8	15	M 18 X 1.5	9.5	30	22
40		STL 8 ER X 40	STL 8 R X 40	56	52	10	8	15	M 18 X 1.5	9.5	40	22
50		STL 8 ER X 50	STL 8 R X 50	56	52	10	8	15	M 18 X 1.5	9.5	50	22
60		STL 8 ER X 60	STL 8 R X 60	56	52	10	8	15	M 18 X 1.5	9.5	60	22
70		STL 8 ER X 70	STL 8 R X 70	56	52	10	8	15	M 18 X 1.5	9.5	70	22
80		STL 8 ER X 80	STL 8 R X 80	56	52	10	8	15	M 18 X 1.5	9.5	80	22
90		STL 8 ER X 90	STL 8 R X 90	56	52	10	8	15	M 18 X 1.5	9.5	90	22
100		STL 8 ER X 100	STL 8 R X 100	56	52	10	8	15	M 18 X 1.5	9.5	100	22

OUR PRODUCT IS EQUIVALENT TO DIN GERMANY
ANY OTHER SPECIAL TYPE OF PLUG WILL BE MANUFACTURED AS PER REQUIREMENTS
IF DRAWING OR SAMPLE IS SENT TO US