

Balaji & Co. manufactures a wide range of Limit Switches tested to rigid quality standards. BC9 'T' series Limit Switches comply with IS 13947/pt-5/sec-1 of 1993 & IEC 947-5-1 and carry the unique mark. Limit Switches are certified by International Canada and US. They also conform to European standard CE.

FEATURES

BC9'T' Series Oil Tight Limit Switches Features

- Completely oil & water tight and dust or damp proof.
- Ample wiring space for easy termination.
- Flame retardant thermo-plastic barriers between terminals to prevent short-circuit.
- Serrated terminals to give firm grip to straighten wire
- Flexibility of replacing complete contract blocks without changing the operating characteristics.
- The S.RD,T twin-break silver contracts provides quick make ' and' break action with high contact pressure
- The brass-forged lever with nylon roller Sr all stainless steel parts provides high rigidity and corrosion resistance.

BC 9'T' Oil Tight Switches Models

BC 9'T' JLS type limit switches are available with a variety of operating heads to meet diverse applications.

BC 9'T' Rotary Lever Operating Head

Rotary Lever-Operating Heads are available in spring return and maintained type. The rotary shaft can be readily changed to operate clockwise, counter clockwise or both. The operating levers may be rotated and locked in any position through 360. The operating head can be positioned in any of the four sides. The lever rollers are 19mm diameter and 16 mm thickness. The levers are available in fixed and adjustable lengths.

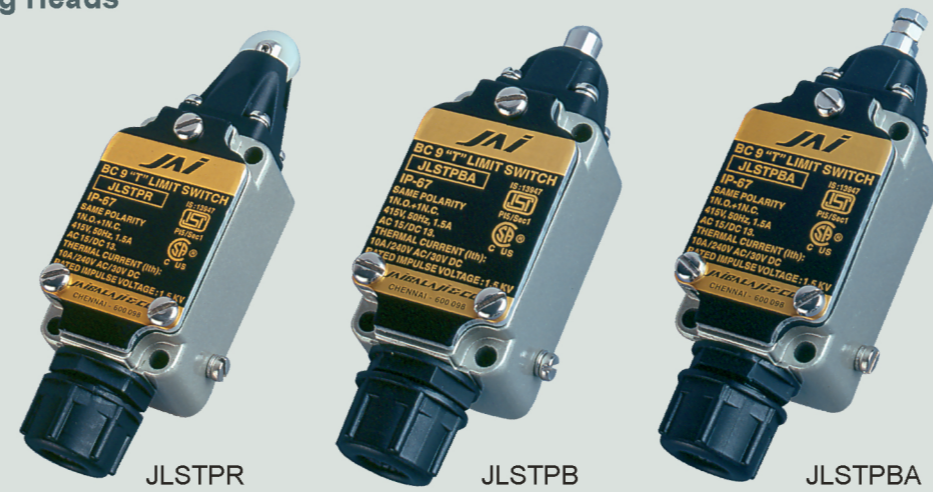


BC9'T' Top Push Operating Heads

BC-9 "T" Top Plunger Limit Switches are available in three designs. One has an adjustable top push button which has a hex. bolt and lock nut, the length of which can be adjusted upto 8mm (Adjustment is accomplished by locking the 8mm spanner in the spindle and then by turning the threaded 4mm Hex. Head operating plunger and securing it with a lock nut)

The second type has a solid button of 9.5 mm without any adjustment.

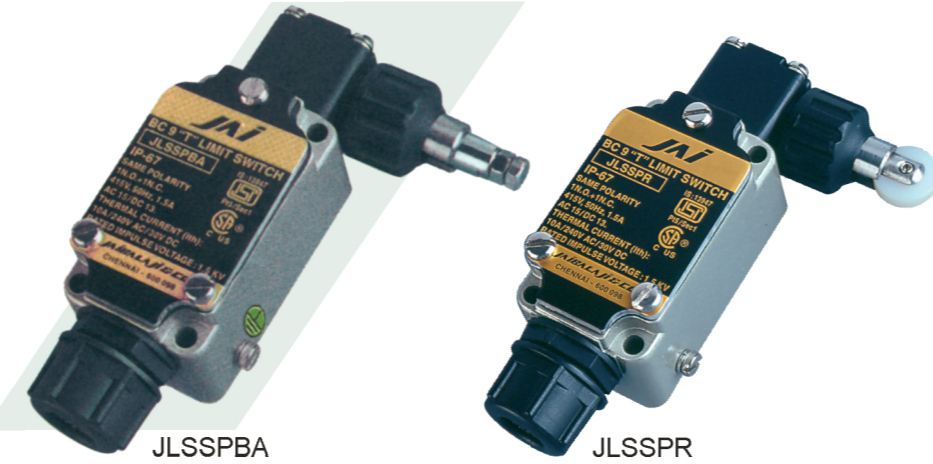
The third type has a nylon roller of 17 mm diameter and 4.7mm thickness The top push operating heads are easier to apply because the operating direction and repeat accuracy is less critical.



BC9'T' Side Push Operating Head

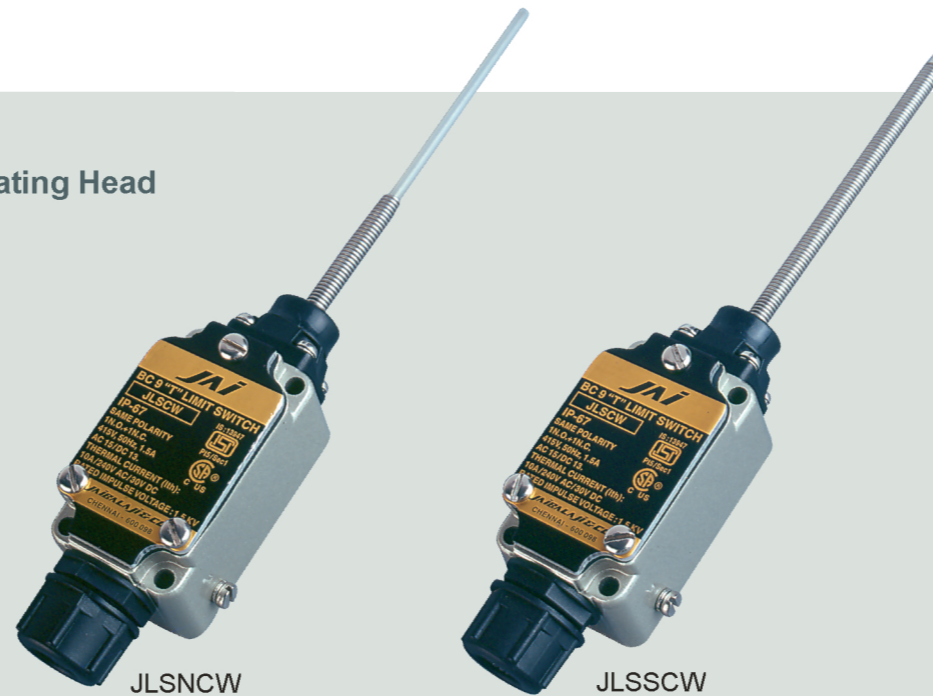
Jai BC9'T" Side Plunger Limit Switches are in two different designs. One has adjustable push button which can be adjusted upto 8mm. (Adjustment is accomplished by locking the 8mm spanner in the spindle and then by turning the threaded 4 mm hex. Head operating plunger and securing it with a lock nut.)

The second type has Nylon Roller of 17mm diameter and 4.7mm thickness. In our BC9'T' Side Plunger Roller type Limit Switch there is a provision to change the positioning of the Roller Plunger from horizontal to vertical position and vice versa by unscrewing the plunger cap nut and it is ready to operate as per the choice.



BC9'T' Cat Whisker Operating Head

BC 9'T' Cat Whisker Limit Switches are available in two designs with 137mm long operating lever. One type consists of 3.2 dia Nylon Rod fixed with stainless steel tension spring from the bottom. The second type consists of 6.2 dia stainless steel tension spring. Both these types can be operated in any direction from the centre.



OPERATING CURRENT AND VOLTAGE

AC 15 rating	: 6A at 110 V; 3A at 220V; 1.5 A at 400V; 1.2A at 550V
DC 13 rating	: 0.2A at 110V; 0.1A at 220V
Contact combination	: 1 NO + 1 NC SPDT switch change-over contact
Frequency of operation	: 2500 operations per hour
Mechanical life	: 20 x 10 ⁶ operations
Enclosure Category	: Die cast enclosure to IP-67 as per IS 2147- 1962
Terminal Capacity	: 2.5 mm ² solid or stranded

Weight Oil Tight Limit Switches: 300 gms approx.

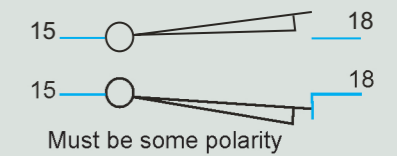
Accessory Oil tight conduit entry to the limit switch for 3/4" dia 16 TPI BS threads BCCE.

ELECTRICAL & MECHANICAL RATINGS

Utilisation Category	: AC 15 and DC 13 as per IEC- 947-5-1
	: IS 13947 Pt-5 / Sec-1 1993
Thermal Current (1th)	: 10A
Insulation voltage (Ui)	: 600 V AC
ISI Licence No.	: CM/L-2015427

WIRING DIAGRAM

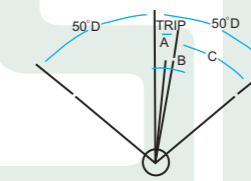
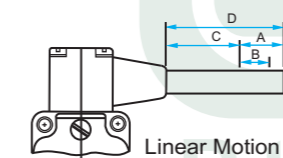
Change over contact



BC9 'T' Fork Lever Operating Head

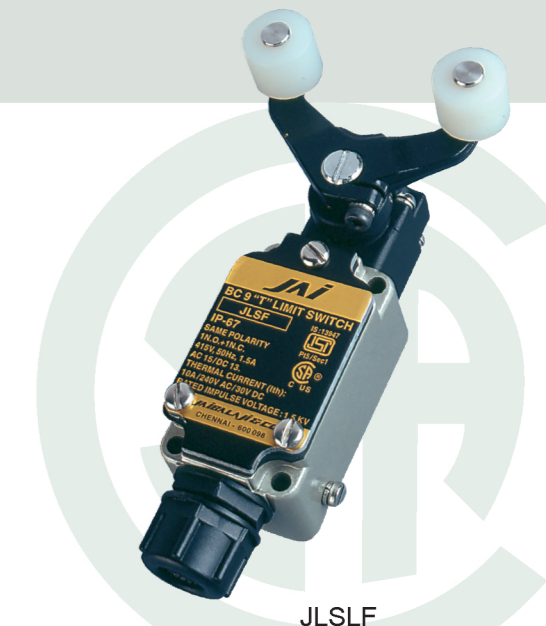
Each of the two arms of length 38 mm has a roller of 19mm diameter and 16mm thickness either in line or offset. Limit Switches all lever type are available in spring return or maintained type.

Diagram for operating data



Angular Motion

- A - Travel to trip
- B - Travel to reset from trip point
- C - Over travel
- D - Total travel



BC-9'T' Types	JLSL 1	JLSL 1M	JLSTPR JLSTPBA JLSTPB	JLSSPR JLSSPBA	JLSNCW JLSSCW JLSCW
	JLSL 2	JLSL 2M			
	JLSL A	JLSL AM			
	JLSJ W	JLSJWM			
	JLSUW	JLSUWM			
	JLSL F	JLSLFM			
	JLSL 0	JLSLFOM			
	mm	mm	mm	mm	mm
Travel to trip A	10°	50°+	1.3+	2.0+	20°+
Travel to reset from trip point B	6°	50°+	1.1	1.7	19°+
Over travel C	40°	40°*	5.5	5.1	5°*
Total travel D	50°	90°+	6.8	7.0	25°*
Force to trip(max) kg	10	0.5	2.0	2.0	0.285
Force to be applied at a radius of (mm)	28	38	-	-	25.5

+ Maximum * Minimum

SELECTION CHART

Description	Type	BC9'T	Ordering Code
Roller Lever	38 mm length	BC9'T	JLSL 1*
	76 mm length	BC9'T	JLSL 2*
	50 mm length	BC9'T	JLSL 3
	64 mm length	BC9'T	JLSL 4
	50 mm length	BC9'T	JLSL 0
Adjustable Roller Lever	OFFSET	BC9'T	JLSL A*
	32 to 82.5mm	BC9'T	JLSIW JLSUW
Fork Lever	Roller in line	BC9'T	JL SF*
	With offset Roller	BC9'T	JL SFLO*
Top Push	Roller Type	BC9'T	JL STPR
	Adjustable	BC9'T	JL STPBA
Side Push	Button type	BC9'T	JL SSPR
	Roller Type	BC9'T	JL SSPBA
Cat Whisker	Adjustable	BC9'T	JL SCW
	Button type	BC9'T	JL SJW*
	Nylon Rod	BC9'T	JL SNCW
	Steel Rod	BC9'T	JL SSCW

*Also available with maintained contact. Add mts as suffix to code while ordering in lever types

SPARES & ACCESSORIES

Description	Code Ordering
Limit Switch Unit assembly	BC9 T S1
38mm lever with 19mm dia x 16mm wide metal roller	BC9 T L1
76.2 mm lever with 19mm dia x 16mm wide nylon roller	BC9 T L2
Adjustable type lever assembly	BC9 T LA
Fork type lever with roller in line	BC9 T LF
Fork type lever with rollers off-set	BC9 T LFO
Operating head for lever type limit switch	BC9 T HL
Operating head for top plunger type limit switch (B-Button, R-Roller)	BC9 T HITP-B-R
Operating head for side plunger type limit switch (B-Button, R-Roller)	BC9 T HSP-B-R

THE RANGE OR PRODUCTS

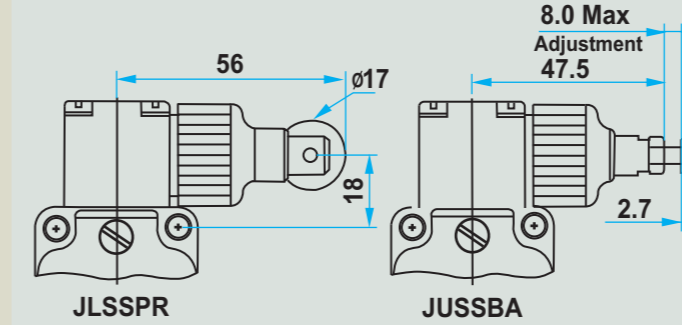
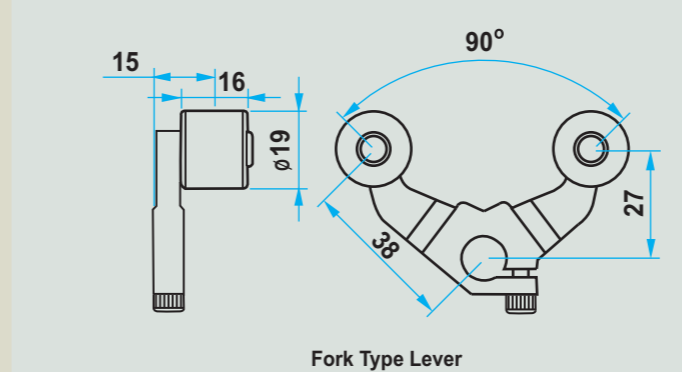
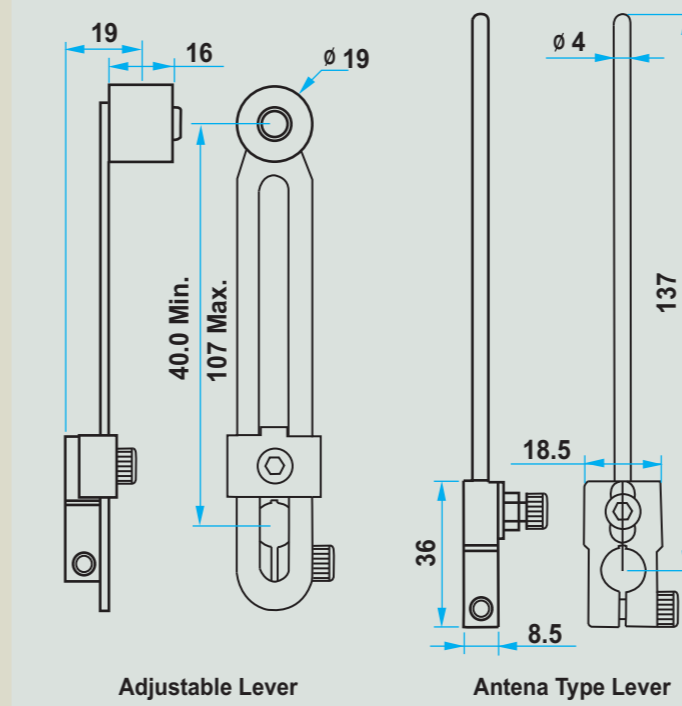
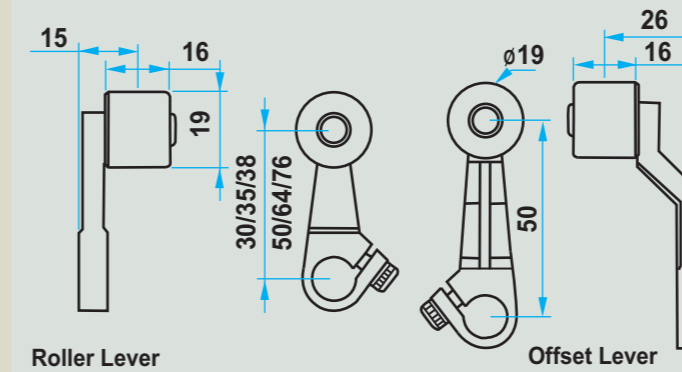
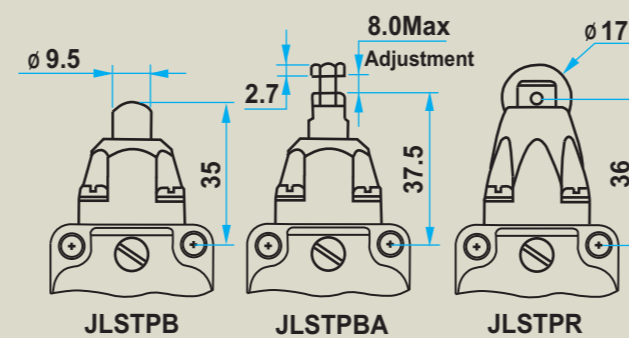
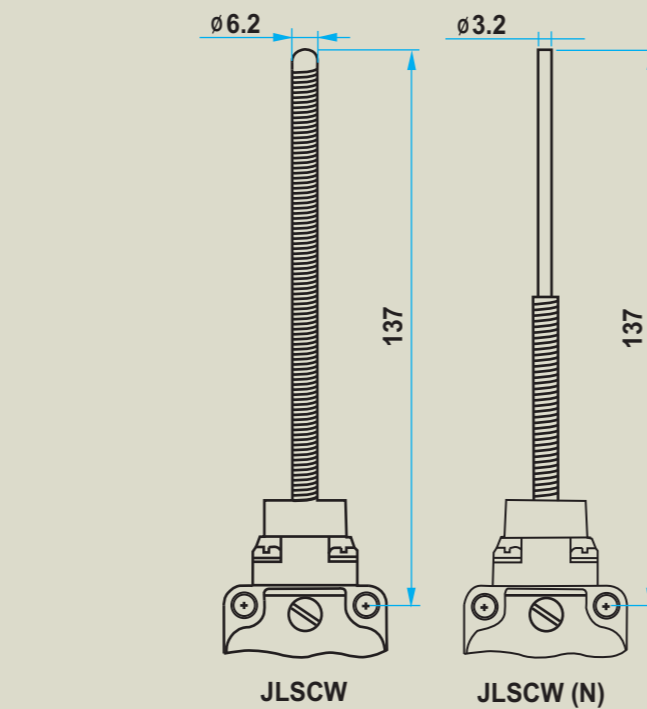
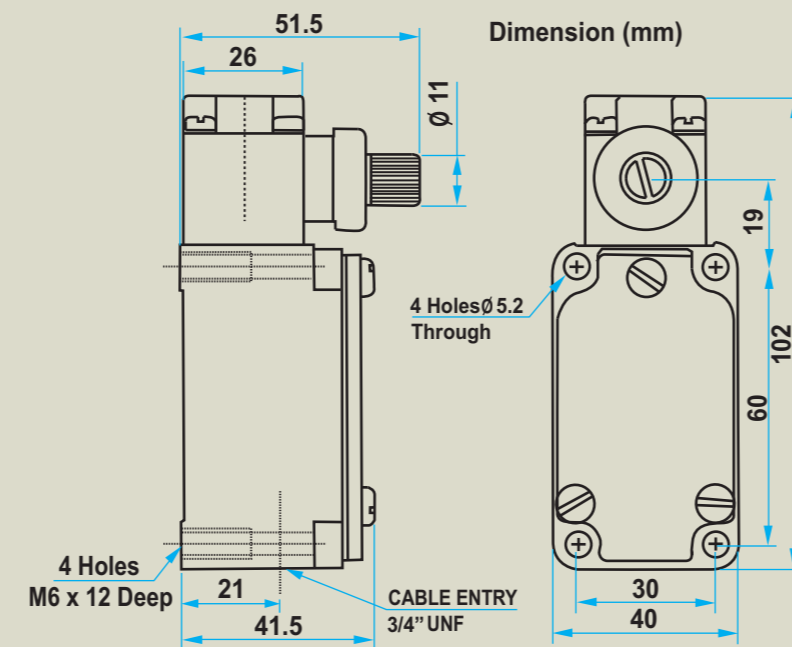
JAI Limit Switches with wide range and high quality are used for import substitutions.

The range includes:

Standard Oil Limit Switch Type	: BC-9
Micro Adjustable Limit Switch Type	: JW
Precision Limit Switch Type	: JO
General Purpose Limit Switch Type	: CEE EM-45
Explosion Proof Limit Switch Type	: EPHA
Miniature Snapaction Limit Switch Type	: MICRO
Heavy Duty Limit Switch Type	: JB2700
Extra Heavy Duty Limit Switch Type	: JC1125

JAI BC9 'T' LIMIT SWITCHES

DIMENSIONS (MM)



Manufactured by:

JAI BALAJI & CO.

89, (New No-107) SIDCO Industrial Estate, Ambattur, Chennai - 600 098 (India).
Ph: 26251279, 26257859, 26254469, 2625 4470. Fax: 0091-044-26255038.
E-mail: jaibalaji@gems.vsnl.net.in

Area Stockist



IP 67



RECOGNITION OF
Quality Plus